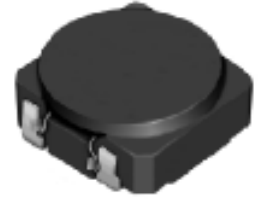
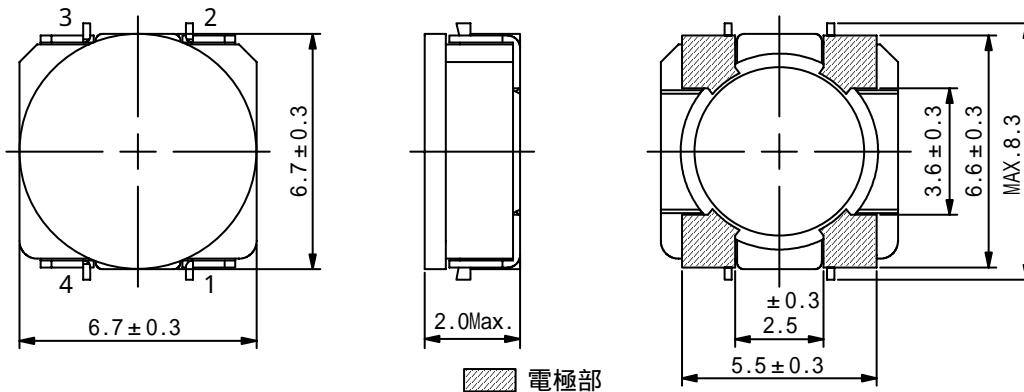
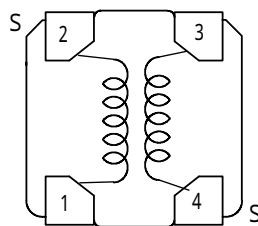


Type: CLS6D18
Preliminary
Product Description

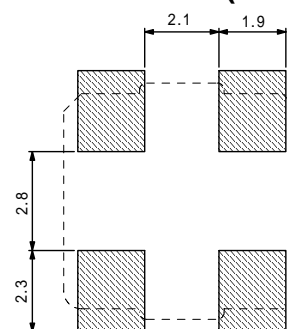
- 7.0 × 7.0mm Max.(L × W), 2.0mm Max. Height.
- 4 Terminal pins' type gives a flexible design as inductors or transformers (SEPIC,ZETA circuit).
- Custom design is available.


Feature

- Max. Operating frequency 1MHz.
- 2 in 1 Coils for high efficient up-down DC-DC converters (SEPIC, Zeta circuits to be used).
- Can be also used as DC-DC converter inductors.
- Ideally used in the power supply for DSC, Note PC, DVC and W-LED backlighting.
- RoHS Compliance

Dimensions (mm)

Schematics (Bottom)


"S" indicates winding start.

Land Pattern (mm)

Specification

Sample No.	Inductance (1-2)/(3-4) (100kHz/1.0V)	D.C.R. (1-2)	D.C.R. (3-4)	Rated current (1-4) Tie (2-3)
A414-SZK-002	$5.0 \mu\text{H} \pm 30\%$	83m Max.	83m Max.	1.60 A

Rated current: The D.C. current at which the inductance decreases to 90% of it's initial value or when $t=40$, whichever is lower ($T_a=20$).